

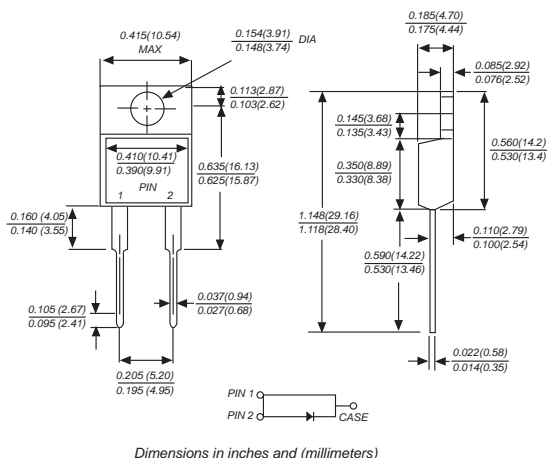


MURF1010 THRU MURF1060

ULTRAFAST RECOVERY RECTIFIERS

Reverse Voltage - 100 to 600 Volts Forward Current - 10 Amperes

ITO-220AC



FEATURES

- ◆ The plastic package carries Underwriters Laboratory Flammability Classification 94V-0
- ◆ Construction utilizes void-free molded plastic technique
- ◆ Low reverse leakage
- ◆ High forward surge current capability
- ◆ High temperature soldering guaranteed: 250°C, 0.25" (6.35mm) from case for 10 seconds

MECHANICAL DATA

Case: ITO-220AC molded plastic body
Terminals: Leads solderable per MIL-STD-750, Method 2026
Polarity: As marked
Mounting Position: Any
Weight: 0.064 ounce, 1.81 grams

MAXIMUM RATINGS AND ELECTRICAL CHARACTERISTICS

Ratings at 25°C ambient temperature unless otherwise specified.
 Single phase half-wave 60Hz, resistive or inductive load, for capacitive load current derate by 20%.

MDD Catalog Number	SYMBOLS	MURF 1010	MURF 1020	MURF 1030	MURF 1040	MURF 1050	MURF 1060	UNITS
Maximum repetitive peak reverse voltage	V_{RRM}	100	200	300	400	500	600	VOLTS
Maximum RMS voltage	V_{RMS}	70	140	210	280	350	420	VOLTS
Maximum DC blocking voltage	V_{DC}	100	200	300	400	500	600	VOLTS
Maximum average forward rectified current (see fig.1)	$I_{(AV)}$	10						Amps
Peak forward surge current 8.3ms single half sine-wave superimposed on rated load (JEDEC Method)	I_{FSM}	90						Amps
Maximum instantaneous forward voltage at 10A	V_F	1	1.3		1.7			Volts
Maximum DC reverse current at rated DC blocking voltage	I_R	10		500				uA
Typical junction capacitance	C_J	200						pF
Maximum thermal resistance (NOTE 2)	$R_{\theta JC}$	3						°C/W
Maximum Reverse Recovery Time(Note1)	T_{rr}	35						nS
Operating Junction and Storage temperature range	T_J, T_{STG}	-55 to +150						°C

Note: 1. Reverse Recovery Test Conditions: $I_F=0.5A$, $I_R=1A$, $I_{rr}=0.25A$.
 2. Thermal resistance from Junction to ambient and from junction to lead 0.375" (9.5mm) P.C.B mounted



RATINGS AND CHARACTERISTIC CURVES MURF1010 THRU MURF1060

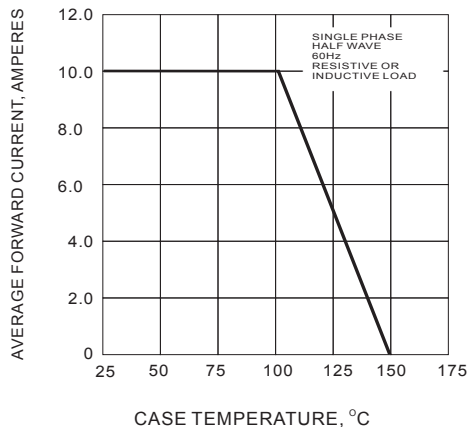


Fig.1 FORWARD CURRENT DERATING CURVE

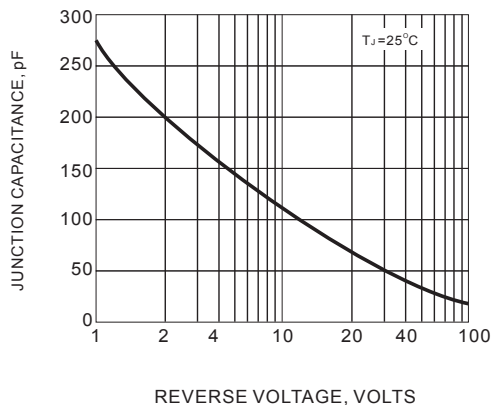


Fig.2 TYPICAL JUNCTION CAPACITANCES

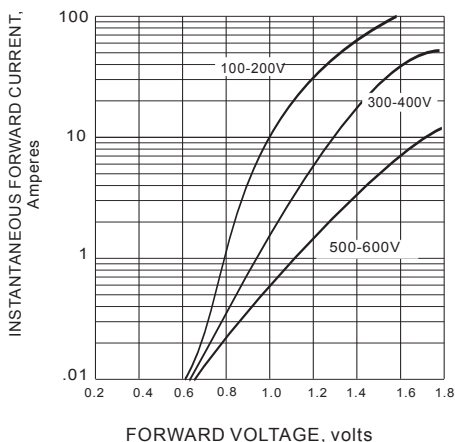


Fig.3 FORWARD CHARACTERISTICS

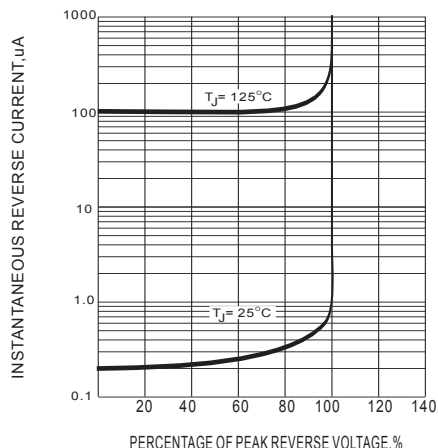


Fig.4 TYPICAL REVERSE CHARACTERISTICS

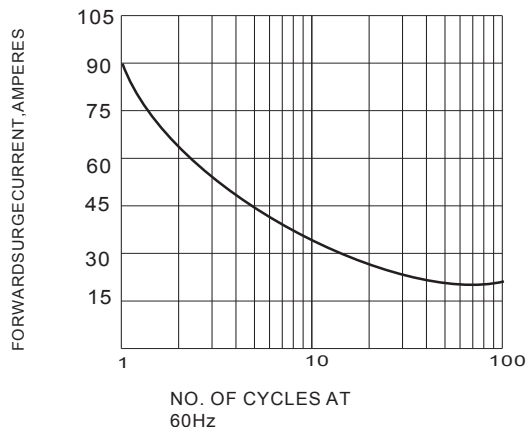


Fig.5 PEAK FORWARD SURGE CURRENT

The cruve graph is for reference only, can't be the basis for judgment(曲线图仅供参考)!

